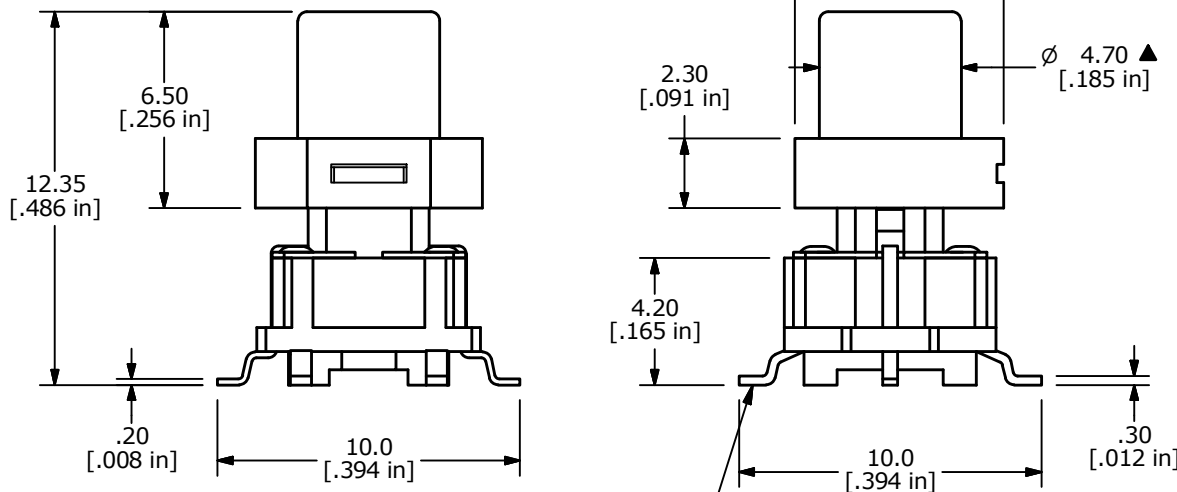
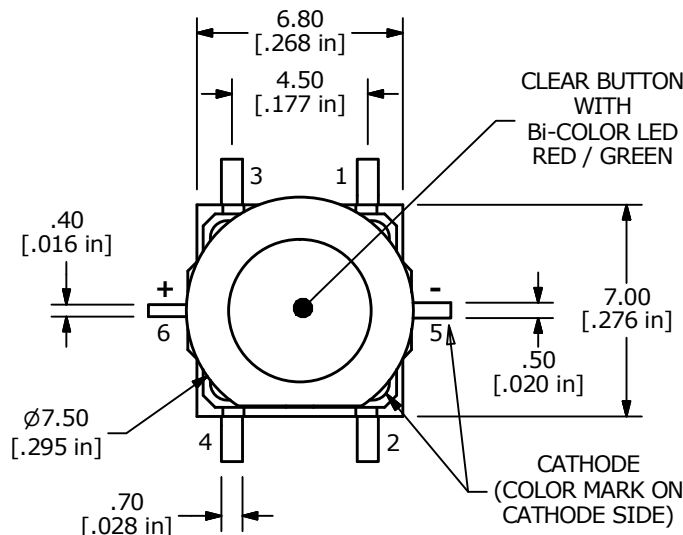


NOTES:

1. ALL DIMENSIONS IN MM [INCH]
2. GENERAL TOLERANCE: X.X = ±0.4
X.XX = ±0.25
3. RATING: 12VDC @ 50mA
4. CONTACT RESISTANCE: 100mΩ MAX.
5. INSULATION RESISTANCE: 100MΩ MIN.
6. OPERATING FORCE: 160 ± 50gf
7. TRAVEL: 0.2 ± 0.1mm
8. OPERATING TEMPERATURE: -40°C to 85°C
9. OPERATING LIFE 500,000 CYCLES
- ▲ 10. LED COLOR: RED / GREEN
11. ▲ DENOTED CRITICAL PARAMETER
12. PACKAGE: SWITCHES ARE 450 PIECES PER REEL
BUTTONS WILL BE BAGGED SEPARATELY - 450 PER BAG
13. PART TO BE HALOGEN FREE.
14. BUTTONS TO BE ASSEMBLED ONTO THE SWITCH AFTER SOLDERING.



LED SPECS	UNITS	RED	GREEN
FORWARD CURRENT	mA	20	20
FORWARD VOLTAGE @ 20mA	V	1.95 typ. - 2.5 max.	2.1 typ. - 2.5 max.
LUMINOUS INTENSITY @ 20mA	MCD	70 typ.	500 typ.



A	23653	New Release	11/6/18	MW
REV	PCR NO	DESCRIPTION	DATE	BY

TITLE TL3265RGQTCLR				
SCALE	DATE	DR	DWG	REV
4:1	11/2/2018	MW	B200082	A

THE INFORMATION CONTAINED IN THIS DOCUMENT IS PROPRIETARY TO E-SWITCH AND IS NOT TO BE COPIED OR TRANSFERRED